

BALDOR® • RELIANCE 

Product Information Packet

EHM3554T-5

1.5HP, 1760RPM, 3PH, 60HZ, 145T, 3526M, TEFC, F

| Part Detail | | | | | | | |
|-------------|--------|-------------|------------|-------------|--------|---------------|------------|
| Revision: | Q | Status: | PRD/A | Change #: | | Proprietary: | No |
| Type: | AC | Elec. Spec: | 35WGM887 | CD Diagram: | CD0006 | Mfg Plant: | |
| Mech. Spec: | 35Z141 | Layout: | 35LYZ141 | Poles: | 04 | Created Date: | 10-07-2010 |
| Base: | RG | Eff. Date: | 03-14-2018 | Leads: | 3#18 | | |

| Specs | | | |
|---------------------------------|-------------------------|--------------------------------|-----------------------|
| Catalog Number: | EHM3554T-5 | Inverter Code: | Inverter Ready |
| Enclosure: | TEFC | KVA Code: | L |
| Frame: | 145T | Lifting Lugs: | Standard Lifting Lugs |
| Frame Material: | Steel | Locked Bearing Indicator: | No Locked Bearing |
| Output @ Frequency: | 1.500 HP @ 60 HZ | Motor Lead Quantity/Wire Size: | 3 @ 18 AWG |
| Synchronous Speed @ Frequency: | 1800 RPM @ 60 HZ | Motor Lead Exit: | Ko Box |
| Voltage @ Frequency: | 575.0 V @ 60 HZ | Motor Lead Termination: | Flying Leads |
| XP Class and Group: | None | Motor Type: | 3526M |
| XP Division: | Not Applicable | Mounting Arrangement: | F1 |
| Agency Approvals: | UR | Power Factor: | 73 |
| | CSA | Product Family: | General Purpose |
| Auxillary Box: | No Auxillary Box | Pulley End Bearing Type: | Ball |
| Auxillary Box Lead Termination: | None | Pulley Face Code: | Standard |
| Base Indicator: | Rigid | Pulley Shaft Indicator: | Standard |
| Bearing Grease Type: | Polyrex EM (-20F +300F) | Rodent Screen: | None |
| Blower: | None | Shaft Extension Location: | Pulley End |
| Current @ Voltage: | 1.800 A @ 575.0 V | Shaft Ground Indicator: | No Shaft Grounding |
| Design Code: | B | Shaft Rotation: | Reversible |

| | | | |
|---------------------------------------|---------------------------|------------------------------------|---------------------|
| Drip Cover: | No Drip Cover | Shaft Slinger Indicator: | No Slinger |
| Duty Rating: | CONT | Speed Code: | Single Speed |
| Electrically Isolated Bearing: | Not Electrically Isolated | Motor Standards: | NEMA |
| Feedback Device: | NO FEEDBACK | Starting Method: | Direct on line |
| Front Face Code: | Standard | Thermal Device - Bearing: | None |
| Front Shaft Indicator: | None | Thermal Device - Winding: | None |
| Heater Indicator: | No Heater | Vibration Sensor Indicator: | No Vibration Sensor |
| Insulation Class: | F | Winding Thermal 1: | None |
| | | Winding Thermal 2: | None |

| | | | | | | | | | | |
|-------------------------------|--------------|--|--------|-----|----------------|-----|------|------|----|---|
| Nameplate NP2094E06B03 | | | | | | | | | | |
| CAT.NO. | EHM3554T-5 | | | | | | | | | |
| SPEC. | 35Z141M887G1 | | | | | | | | | |
| HP | 1.5 | | | | | | | | | |
| VOLTS | 575 | | | | | | | | | |
| AMPS | 1.8 | | | | | | | | | |
| RPM | 1760 | | | | | | | | | |
| FRAME | 145T | | | | HZ 60 | | | PH 3 | | |
| SER.F. | 1.15 | | CODE | L | | DES | B | | CL | F |
| NEMA-NOM-EFF | 86.5 | | | PF | 73 | | | | | |
| RATING | 40C AMB-CONT | | | | | | | | | |
| CC | 010A | | | | USABLE AT 208V | | | | | |
| DE | 6205 | | | ODE | 6203 | | | | | |
| AUTO | N | | MANUAL | N | | | NONE | | | Y |
| ENCL | TEFC | | | SN | | | | | | |
| BLANK | | | | | | | | | | |

| Parts List | | |
|---------------|--|----------|
| Part Number | Description | Quantity |
| SA204755 | SA 35Z141M887G1 | 1.000 EA |
| RA192001 | RA 35Z141M887G1 | 1.000 EA |
| 34FN3002B01 | EXTERNAL FAN, PLASTIC, .637/.639 HUB W/ | 1.000 EA |
| HW3200A01 | 3/8-16X3/4 I-BLT WELDED F/S | 1.000 EA |
| NS2512A01 | INSULATOR, CONDUIT BOX X | 1.000 EA |
| 35CB3009 | 35 CB W/1.09 DIA. LEAD HOLE @ 6: | 1.000 EA |
| 36GS1000SP | GASKET-CONDUIT BOX, .06 THICK #SV-330 LE | 1.000 EA |
| 51XB1016A07 | 10-16 X 7/16 HXWSSLD SERTYB | 2.000 EA |
| 11XW1032G06 | 10-32 X .38, TAPTITE II, HEX WSHR SLTD U | 1.000 EA |
| 35EP3122A00 | MASTER ODE,203 BRG,.683SH,#26 DRN,GRSR,F | 1.000 EA |
| HW4500A19 | 1/4-28X1/4 SLOTTED PLUG F/S | 1.000 EA |
| HW5100A03 | WAVY WASHER (W1543-017) | 1.000 EA |
| 35EP3123F02 | F00 W/AEGIS SH GND | 1.000 EA |
| 91XN0540J08 | SCREW, 5-40 X 1/2", FHC, AS | 4.000 EA |
| HW4500A19 | 1/4-28X1/4 SLOTTED PLUG F/S | 1.000 EA |
| XY1032A02 | 10-32 HEX NUT DIRECTIONAL SERRATION | 4.000 EA |
| 51XB1214A16 | 12-14X1.00 HXWSSLD SERTYB | 1.000 EA |
| 35FH4005A84SP | IEC FH W/GRSR, NO DIMPLES PRIMED | 1.000 EA |
| 51XW1032A06 | 10-32 X .38, TAPTITE II, HEX WSHR SLTD S | 3.000 EA |
| 35CB4521GX | CONDUIT BOX LID KIT **ORDER INDIV PARTS | 1.000 EA |
| 51XW0832A07 | 8-32 X .44, TAPTITE II, HEX WSHR SLTD SE | 4.000 EA |
| HW2501D13 | KEY, 3/16 SQ X 1.375 | 1.000 EA |
| HA7000A01 | KEY RETAINER 7/8" DIA SHAFT | 1.000 EA |
| LB1115N | LABEL,LIFTING DEVICE (ON ROLLS) | 1.000 EA |

| Parts List (continued) | | |
|-------------------------------|---|-----------------|
| Part Number | Description | Quantity |
| MJ1000A02 | GREASE, MOBIL POLYREX EM - 124047 | 0.050 LB |
| MG1000G27 | MED CHARCOAL METALLIC GREY 400-0096 | 0.017 GA |
| HA3100A18 | THRUBOLT 10-32 X 9.250 | 4.000 EA |
| LC0006 | CONNECTION LABEL | 1.000 EA |
| NP2094E06B03 | NP LABEL W/BARCODE (PREM EFF HVAC MTR) | 1.000 EA |
| 36PA1000 | PKG GRP, PRINT PK1016A06 | 1.000 EA |
| MN416A01 | TAG-INSTAL-MAINT no wire (1200/bx) 3/19 | 1.000 EA |
| FE-0000001 | ZRTG FE ASSEMBLY | 1.000 EA |

AC Induction Motor Performance Data

Record # 32435 - Typical performance - not guaranteed values

| | | |
|-------------------------------|--------------------|------------------------|
| Winding: 35WGM887-R001 | Type: 3526M | Enclosure: TEFC |
|-------------------------------|--------------------|------------------------|

| Nameplate Data | | | | 575 V, 60 Hz: Single Voltage Motor | |
|-----------------------|--------------|--------------|----|---------------------------------------|--------------------------|
| Rated Output (HP) | 1.5 | | | Full Load Torque | 4.47 LB-FT |
| Volts | 575 | | | Start Configuration | direct on line |
| Full Load Amps | 1.8 | | | Breakdown Torque | 19.1 LB-FT |
| R.P.M. | 1760 | | | Pull-up Torque | 9.34 LB-FT |
| Hz | 60 | Phase | 3 | Locked-rotor Torque | 13.3 LB-FT |
| NEMA Design Code | B | KVA Code | L | Starting Current | 14.6 A |
| Service Factor (S.F.) | 1.15 | | | No-load Current | 1.09 A |
| NEMA Nom. Eff. | 86.5 | Power Factor | 73 | Line-line Res. @ 25°C | 17 Ω |
| Rating - Duty | 40C AMB-CONT | | | Temp. Rise @ Rated Load | 44°C |
| S.F. Amps | | | | Temp. Rise @ S.F. Load | 53°C |
| | | | | Locked-rotor Power Factor | 52 |
| | | | | Rotor inertia | 0.154 LB-FT ² |

Load Characteristics 575 V, 60 Hz, 1.5 HP

| % of Rated Load | 25 | 50 | 75 | 100 | 125 | 150 | S.F. |
|-----------------|------|------|------|------|------|------|------|
| Power Factor | 31 | 51 | 65 | 74 | 79 | 83 | 77 |
| Efficiency | 76.5 | 84.5 | 87 | 87.1 | 86.3 | 85.3 | 86.6 |
| Speed | 1791 | 1781 | 1771 | 1760 | 1748 | 1735 | 1753 |
| Line amperes | 1.15 | 1.28 | 1.49 | 1.75 | 2.06 | 2.38 | 1.94 |

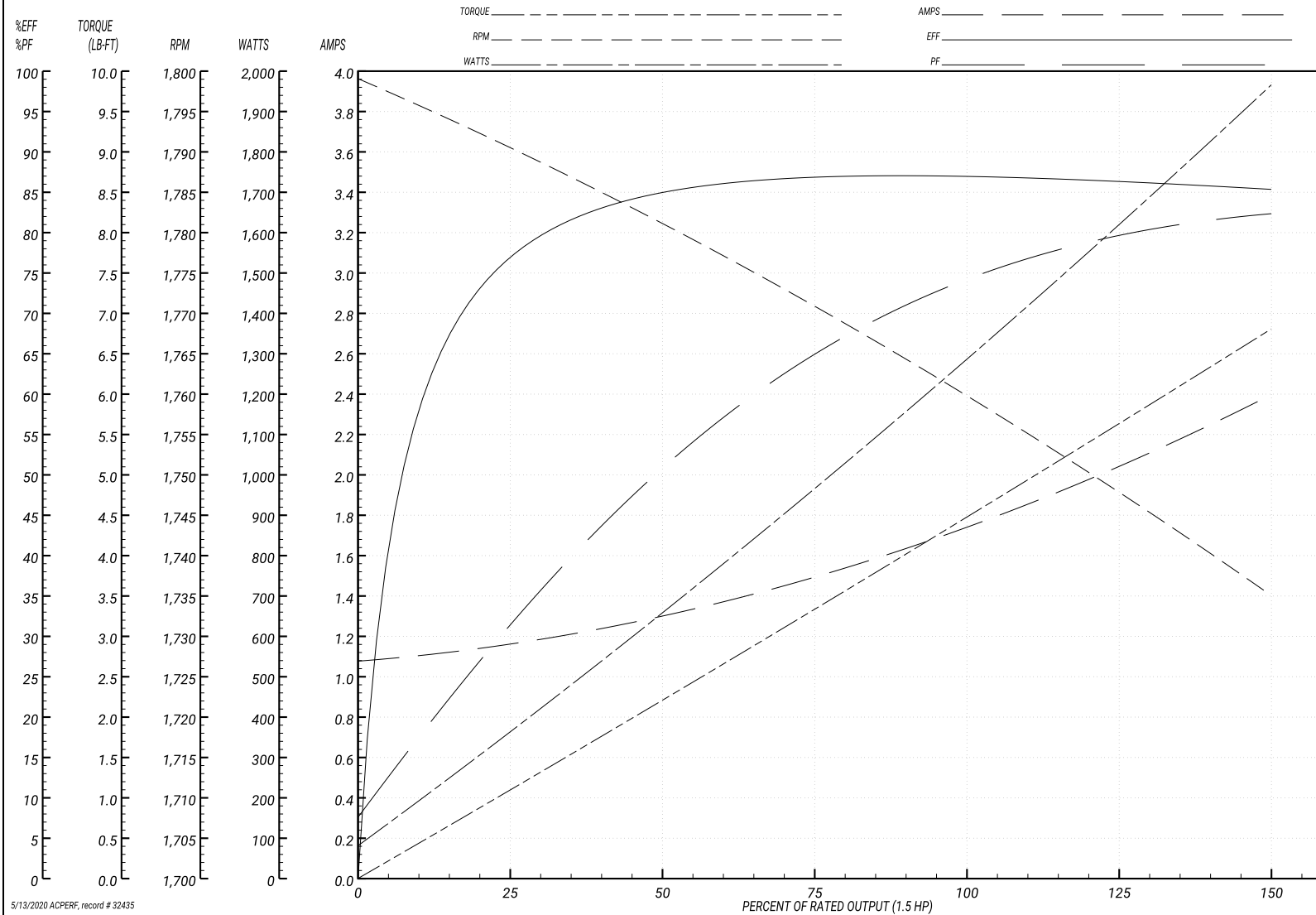
Performance Graph at 575V, 60Hz, 1.5HP Typical performance - Not guaranteed values

ABB Motors and Mechanical Inc.

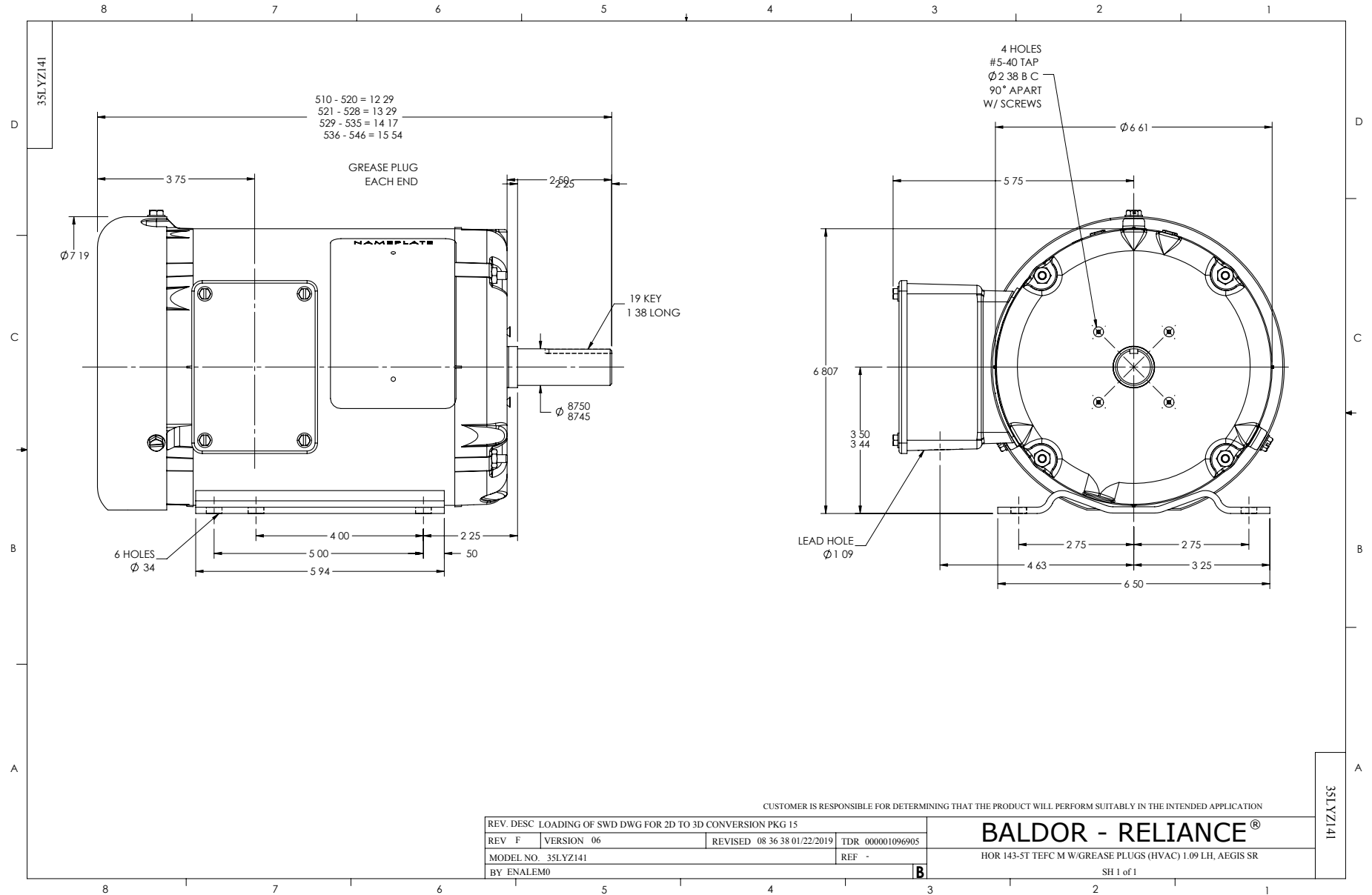
WINDING # 35WGM887

Typical performance - not guaranteed values.

1.5 HP 3 PH 60 HZ 1760 RPM 575 V 3526 M
 TORQUES(LB-FT): PO=19.1 PU=9.34 LR=13.3 LRA=14.6



5/13/2020 ACPERF, record # 32435



CD0006



NOTES:

1. THREE LEAD MOTOR MAY BE EITHER WYE CONNECTED OR DELTA CONNECTED.
2. INTERCHANGE ANY TWO LINE LEADS TO REVERSE ROTATION.
3. OPTIONAL THERMOSTATS ARE PROVIDED WHEN SPECIFIED.
4. ACTUAL NUMBER OF INTERNAL PARALLEL CIRCUITS MAY VARY.
5. LEAD COLORS ARE OPTIONAL. LEADS MUST BE NUMBERED AS SHOWN.

CD0006

| | | |
|-----------------------------------|------------------------------|-------------------|
| REV. DESC: ADD CLASS CONN00000007 | | |
| REV. LTR: E | VERSION: 01 | TDR: 000001099922 |
| FILE: \AAA\00005\141 | REVISED: 10:24:49 02/19/2019 | BY: ENBRIRO |
| MTL: - | © □ | |

BALDOR - RELIANCE®

3PH, SV, 3 LEADS, WYE OR DELTA CONNECTED

SH 1 of 1